

A3 Colour Photocopier

Sharp BP-61C45

Smart A3 colour MFP with multi-layered security features and advanced environmental credentials



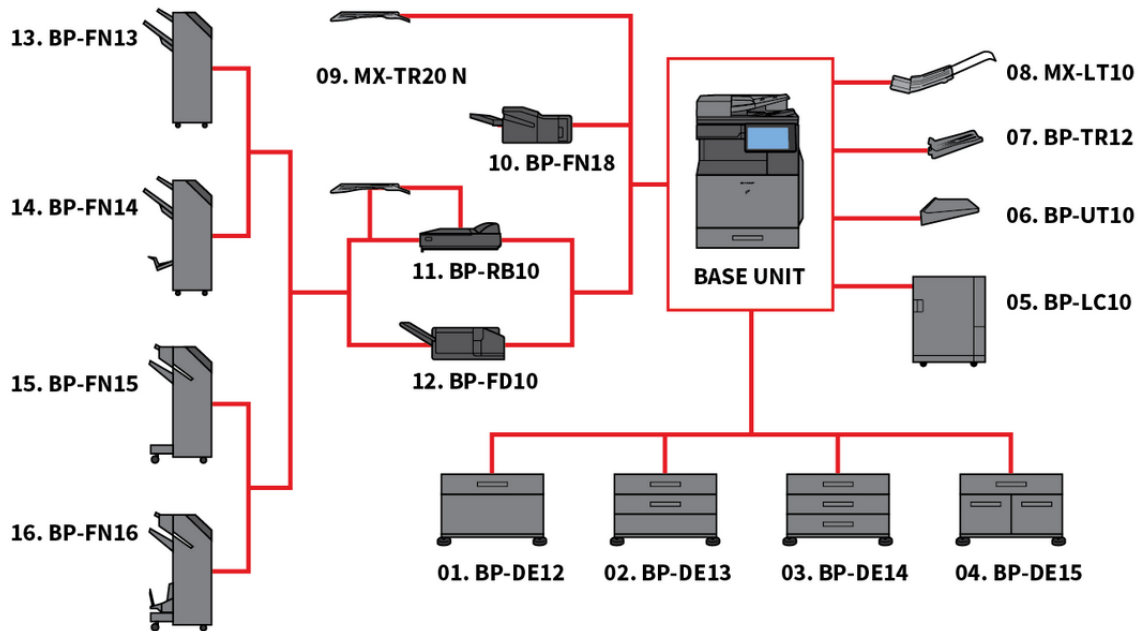
- 45ppm A3 colour MFP with seamless integration and connection to cloud based business process applications
- Collaborate with ease using the Microsoft® Teams connector to print from or scan to your Microsoft® Teams channels directly from the MFP control panel
- Bring more flexibility to your print output with an extensive range of finishing options including stapling, punching and folding
- 100-sheet Reversing Single Pass Feeder scans one or two-sided originals at speeds of up to 80ipm for completing large jobs with ease and efficiency
- With support for Microsoft Entra ID you can manage identities and control device access via a secure cloud-based tool
- Single sign-on lets you securely print from or scan to public cloud storage services quickly and easily
- Multi-layered security features include automatic BIOS recovery if anomalies are detected during start-up and standard Trusted Platform Module to keep your confidential data secure
- Keep your data, device and network secure with optional Bitdefender anti-malware protection software*
- A sustainable design uses up to 50% recycled plastics in manufacturing the base unit of the MFP and cardboard packaging helps reduce plastic waste
- Advanced eco-technologies deliver an impressively low TEC value and standby power consumption rate
- Intuitive icons and a smartphone style interface on the 10.1-inch colour LCD control panel make operating the MFP smooth and easy
- Keep up-to-date and compliant with automatic online firmware and application updates via the Sharp Application Portal

* Requires BP-VD10.

www.sharp.se

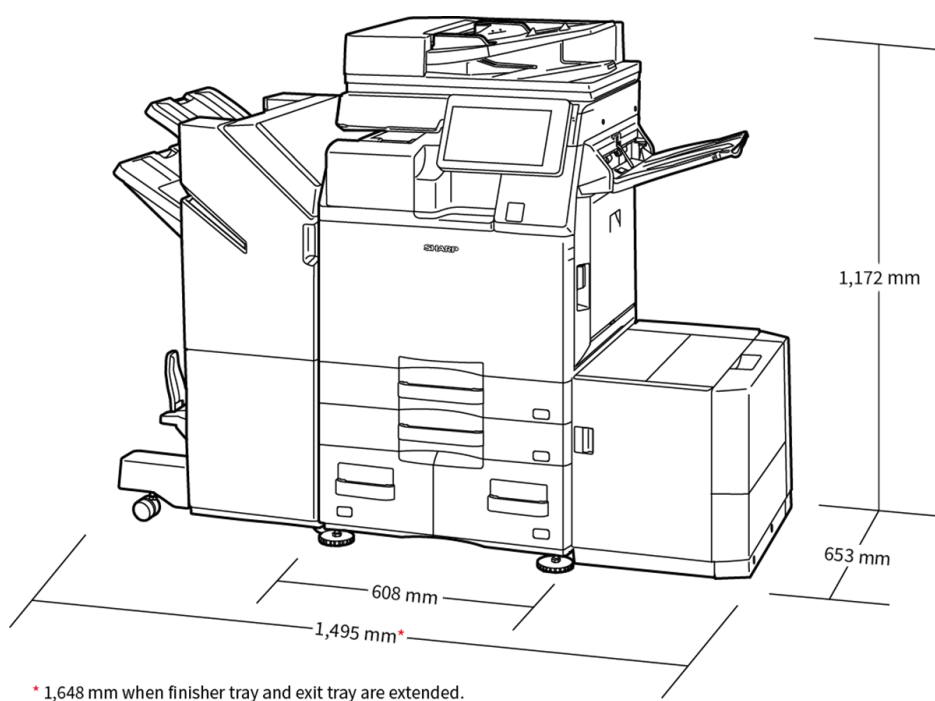
SHARP

Konfigurationer



Konfigurationer kan skilja sig mellan olika försäljningsregioner. Kontakta din lokala Sharp-representant för mer information.

Mått



Mått visas med tillval. Tillvalen kan variera beroende på region.

Tillval

Base Unit

01. BP-DE12 Stand with 550-sheet paper drawer

550 sheets* , SRA3 - A5R (60 - 300 g/m2)

02. BP-DE13 Stand with 2 x 550-sheet paper drawer

550 sheets* each for lower and upper trays, SRA3 - A5R (60 - 300 g/m2)

03. BP-DE14 Stand with 3 x 550-sheet paper drawer

550 sheets* each for lower and upper trays, SRA3 - A5R (60 - 300 g/m2)

04. BP-DE15 Stand with 550 + 2100-sheet paper drawer

Upper tray: SRA3 - A5R, 550 sheets* (60 - 300 g/m2)

Lower tray (Left): A4, 1,200 sheets* (60 - 105 g/m2)

Lower tray (Right): A4 - B5, 900 sheets* (60 - 105 g/m2)

05. BP-LC10 Large Capacity Tray

3,000 sheets* , A4 - B5 (60 - 220 g/m2)

06. BP-UT10 Utility Table

Printing

MX-PF10 Barcode Font Kit

Enables barcode printing

Faxing

BP-FX11 Fax Expansion Kit

MX-FWX1 iFax Expansion Kit

Storage

BP-SD10 High Capacity SSD

512GB SSD

Sharp OSA®

MX-AMX1 Application Integration Module

Security

BP-FR12U Data Security Kit

Commercial version

BP-VD10 Virus Detection Kit

Finishing

07. BP-TR12 Exit Tray Unit

08. MX-LT10 Long Paper Feeding Tray

Recommended for banner printing

09. MX-TR20 N Job Separator Tray

Requires BP-TU10 Exit Tray Cabinet

10. BP-FN18 Inner Finisher

A3 - B5 (offset/staple), SRA3 - A5R (non offset)

Offset tray (upper): max. 500-sheet paper capacity*

Stapling capacity: max. 30-sheet multi-position staple*

Manual Stapling: 1-point at rear (Flat), 45 sheets (64 g/m2), 40 sheets (80 g/m2)

Stapleless capacity: max. 10-sheet (64 g/m2), 8 sheet (65 - 81.4 g/m2), 6 sheet (81.5 - 105 g/m2)

11. BP-RB10 Paper Pass Unit

Required when using BP-FN13, BP-FN14, BP-FN15 & BP-FN16

12. BP-FD10 Folding Unit

200 sheets* , A3, B4, A4R (Z-fold & half fold), A3, A4 (C-Fold, Accordion fold), 60 - 256 g/m2

13. BP-FN13 1k Finisher

A3W - A5R (offset/staple), SRA3 - A5R (non offset)

Offset tray (upper): max. 1,000-sheet paper capacity*

Stapling capacity: max. 50-sheet multi-position staple*

14. BP-FN14 1k Saddle Stitch Finisher

A3W - A5R (offset/staple), SRA3 - A5R (non offset)

Offset tray (upper): max. 1,000-sheet paper capacity*

Stapling capacity: max. 50-sheet multi-position staple*

Saddle stitch tray (lower): 7 sets (11-15 sheets), 10 sets (6-10 sheets), 20 sets (1-5 sheets). 15 sheets max per set

15. BP-FN15 3k Finisher

A3 - B5 (offset/staple), SRA3 - A5R (non offset)

Offset tray (upper): max. 3,000-sheet paper capacity*

Stapling capacity: max. 65-sheet multi-position staple*

Manual Stapling: 1-point at rear (Flat), 45 sheets (64 g/m2), 40 sheets (80 g/m2)

Stapleless capacity: max. 10-sheet (64 g/m2), 8 sheet (65 - 81.4 g/m2), 6 sheet (81.5 - 105 g/m2)

16. BP-FN16 3k Saddle Stitch Finisher

A3 - B5 (offset/staple), SRA3 - A5R (non offset)

Offset tray (upper): max. 3,000-sheet paper capacity*

Stapling capacity: max. 65-sheet multi-position staple*

Manual Stapling: 1-point at rear (Flat), 45 sheets (64 g/m2), 40 sheets (80 g/m2)

Stapleless capacity: max. 10-sheet (64 g/m2), 8 sheet (65 - 81.4 g/m2), 6 sheet (81.5 - 105 g/m2)

Saddle stitch tray (lower): 10 sets (11-20 sheets), 15 sets (6-10 sheets), 25 sets (1-5 sheets). 20 sheets max per set

MX-PN14B/C/D Punch Modules (3, 2/4, 4 wide) for BP-FN18

MX-PN15B/C/D Punch Modules (3, 2/4, 4 wide) for BP-FN13/BP-FN14

MX-PN16B/C/D Punch Modules (3, 2/4, 4 wide) for BP-FN15/BP-FN16

* Number of sheets based on 80 g/m2

Specifikationer

ALLMÄNT

| | |
|---|-----------------------|
| Hastighet färg kopior/utskrifter per minut (A4) | 45 |
| Hastighet svartvitt kopior/utskrifter per minut (A4) | 45 |
| Hastighet färg kopior/utskrifter per minut (A3) | 23 |
| Hastighet svartvitt kopior/utskrifter per minut (A3) | 23 |
| Pappersstorlek: Min-Max | A6R - SRA3 |
| Pappersvikt (g/m ²) | 52 - 300 |
| Papperskapacitet: Standard (ark) | 650 |
| Papperskapacitet: Max (ark) | 6300 |
| Uppvärmningstid (sek) | 14 |
| Kopieringsminne min/max (GB) | 5 |
| SSD | STD / OPT |
| SSD kapacitet (GB) | 256 / 512 |
| Duplex | STD |
| Strömförsörjning - lokal märkspänning växelström (Hz) | 200 - 240V, 50 / 60Hz |
| Energiförbrukning (kW) | 1.84 |
| Mått (B x D x H) (mm) | 608 x 653 x 829 |
| Vikt (kg) | 78 |

DOKUMENTMATARE

| | |
|-------------------------|-----|
| Originalkapacitet (ark) | 100 |
|-------------------------|-----|

DOKUMENTARKIVERING

| | |
|---|---|
| Dokumentarkivering (standard/tillbehör) | STD |
| Arkiveringskapacitet- huvudmapp och egna mappar (sidor) | 20000 |
| Arkiveringskapacitet - snabbfilsmapp (sidor) | 10000 |
| Lagrade jobb | Copy, print, scan, fax transmission |
| Lagringsmapp | Quick file folder, main folder, custom folder (max. 1000) |

FAX

| | |
|---|---|
| Fax (standard/tillbehör) | OPT |
| Komprimeringsmetod | MH / MR / MMR / JBIG |
| Kommunikationsprotokoll | Super G3 / G3 |
| Överföringstid | 2 |
| Modemhastighet (bps) | 33600 - 2400 |
| Överföringsupplösning | STD 203.2 x 97.8 dpi / Ultra Fine 406.4 x 391 dpi |
| Arbetsbredd (min) | A5 |
| Arbetsbredd (max) | A3 |
| Minne (GB) | 4 |
| Gråskalenivåer | 256 |
| Registrering av inkommande/utgående fax | 2000 |
| Grupsändning | 500 |

TRÅDLÖST NÄTVERK

| | |
|---------------------------------------|---|
| Trådlöst nätverk (standard/tillbehör) | STD |
| Kommunikationsstandard | IEEE802.11 a / b / g / n / ac |
| Åtkomstnivå | Infrastructure mode, Software AP mode |
| Säkerhet | WEP, WPA / WPA2-mixed PSK, WPA / WPA2-mixed EAP, WPA2-PSK, WPA2-EAP, WPA2 / WPA3-mixed PSK / SAE, WPA3 SAE, WPA2 / WPA3-mixed EAP, WPA3 EAP |

KOPIATOR

| | |
|---------------------------------------|------------------------------------|
| Originalstorlek (Max) | A3 |
| Tid för förstakopia färg (sek) | 6.5 |
| Tid för förstakopia svartvitt (sek) | 4.6 |
| Elektronisk sortering standard | • |
| Kontinuerlig kopiering (max kopior) | 9,999 |
| Upplösning scanning svartvitt (dpi) | 600 x 600, 600 x 400 |
| Upplösning scanning färg (dpi) | 600 x 600 |
| Upplösning skrivare (dpi) | 1200 x 1200, 600 x 600, 9600 x 600 |
| Gradering (motsvarande nivåer) - färg | 256 |
| Zoomomfång (%) | 25 - 400 |
| Förinställda skalor | 10 |

NÄTVERKSSCANNER

| | |
|---------------------------------------|---|
| Nätverksscanner (standard/tillbehör) | STD |
| Scanningmetod push scan och pull scan | • |
| Upplösning push scan (dpi) | 100, 150, 200, 300, 400, 600 |
| Upplösning pull scan (dpi) | 75, 100, 150, 200, 300, 400, 600, 50 - 9600 |

Filformat

| | |
|-----------|---|
| Filformat | TIFF, PDF, PDF / A-1a, PDF / A-1b, encrypted PDF, compact PDF, JPEG, XPS, searchable PDF, Microsoft Office (pptx, xlsx, docx), TXT (UTF-8), RTF |
|-----------|---|

Scannerdestinationer desktop

| | |
|-----------------------------------|---|
| Scannerdestinationer desktop | • |
| Scannerdestinationer FTP, E-post | • |
| Scannerdestinationer nätverksmapp | • |
| Scannerdestinationer USB minne | • |

SKRIVARE

| | |
|---------------------------------------|--|
| Upplösning (dpi) | 1200 x 1200, 600 x 600, 9600 x 600 |
| Nätverksskrivare (standard/tillbehör) | STD Ethernet |
| Gränssnitt standard/tillbehör | USB 2.0, USB 3.0, 10Base-T / 100Base-TX / 1000Base-T, Optional secondary LAN support |

Stöder operativsystem standard

| | |
|--------------------------------|---|
| Stöder operativsystem standard | Windows 10, 11. Windows Server 2016, 2019, 2022, 2025. Mac OS X 10.15, 11, 12, 13, 14, 15 |
|--------------------------------|---|

Nätverksprotokoll

| | |
|--------------------|--|
| Nätverksprotokoll | TCP / IP (IPv4, IPv6) |
| Utskriftsprotokoll | LPR, Raw TCP (port 9100), POP3 (e-mail printing), HTTP, FTP for downloading print files, IPP, SMB, WSD |

PDL standard/tillbehör

| | |
|------------------------|----------------------------------|
| PDL standard/tillbehör | STD PCL 6, Adobe® PostScript® 3™ |
|------------------------|----------------------------------|

Typsnitt

| | |
|----------|------------------------------------|
| Typsnitt | 80 (PCL), 139 (Adobe PostScript 3) |
|----------|------------------------------------|

EFTERBEHANDLING

| | |
|-------------------------------|------------|
| Kapacitet Max. | 500 - 3250 |
| Häftningskapacitet (ark) Max. | 65 |
| Sadelhäftning | OPT |
| Off-set förskjutning | STD |
| Håslag | OPT |

TONERKAPACITET

| | |
|---------------------------------------|-------|
| Svart (sidor med 5 % täckningsgrad) | 40000 |
| Cyan (sidor med 5 % täckningsgrad) | 24000 |
| Magenta (sidor med 5 % täckningsgrad) | 24000 |
| Gul (sidor med 5 % täckningsgrad) | 24000 |



Microsoft, Adobe, OSA, Wi-Fi, Works with Apple AirPrint, CITRIX, Qualcomm DirectOffice, Point, Active Directory, Windows Server, and Windows are either registered trademarks or trademarks of Microsoft Corporation in the US and/or other countries. Adobe and PostScript 3 are either registered trademarks or trademarks of Adobe Systems Incorporated in the US and/or other countries. Google Drive, Gmail and Android are trademarks of Google LLC. The Google Drive trademark is used with permission from Google LLC. Box is a trademark, service mark, or registered trademark of Box, Inc. QR Code is a registered trademark of DENSO WAVE INCORPORATED in Japan and other countries. AirPrint and Mac are trademarks of Apple Inc., registered in the US and other countries. PCL is a registered trademark of Hewlett-Packard Company. Qualcomm DirectOffice is a product of Qualcomm Technologies, Inc. and/or its subsidiaries. Qualcomm is a trademark of Qualcomm Incorporated, registered in the US and other countries. DirectOffice is a trademark of CSR Imaging US, LP, registered in the US and other countries. All other company names, product names and logotypes are trademarks or registered trademarks of their respective owners. ©Sharp Corporation August 2025. Ref: Sharp BP-61C45 Datasheet. All trademarks acknowledged. E&O.