

A3 Colour Photocopier

# Sharp BP-56C26

Smart A3 colour MFP with multi-layered security features and advanced environmental credentials



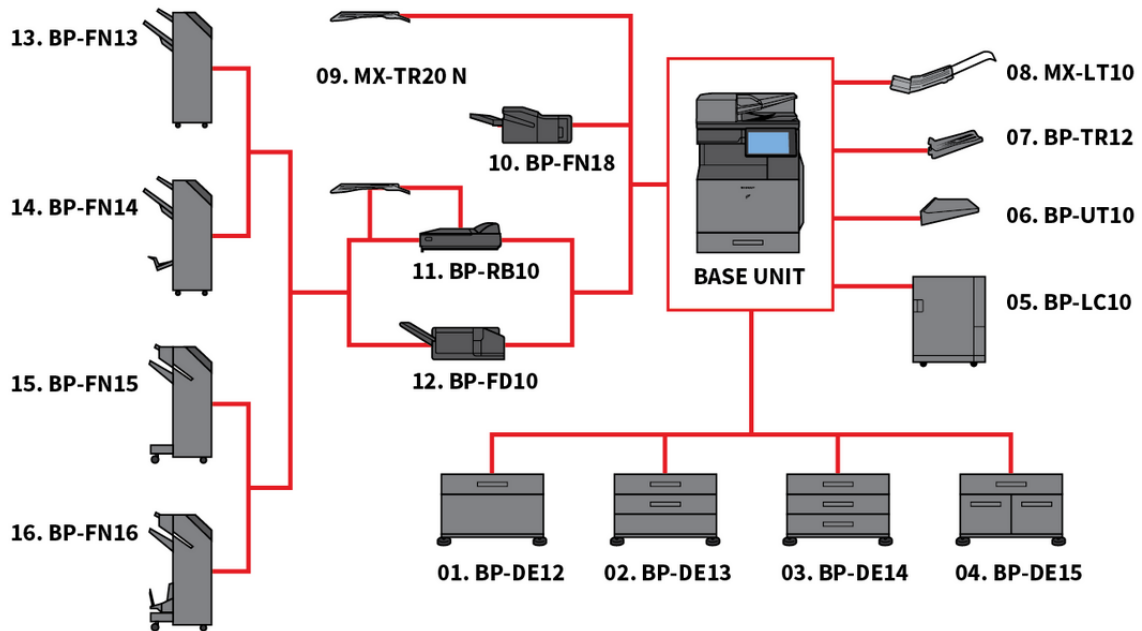
- 26ppm A3 colour MFP with seamless integration and connection to cloud based business process applications
- Collaborate with ease using the Microsoft® Teams connector to print from or scan to your Microsoft® Teams channels directly from the MFP control panel\*1
- Bring more flexibility to your print output with an extensive range of finishing options including stapling, punching and folding
- 300-sheet Duplex Single Pass Feeder scans at speeds of up to 240ipm for completing large jobs with ease and efficiency
- With support for Microsoft Entra ID you can manage identities and control device access via a secure cloud-based tool
- Single sign-on lets you securely print from or scan to public cloud storage services quickly and easily
- Multi-layered security features include automatic BIOS recovery if anomalies are detected during start-up and standard Trusted Platform Module to keep your confidential data secure
- Keep your data, device and network secure with optional Bitdefender anti-malware protection software\*2
- A sustainable design uses up to 50% recycled plastics in manufacturing the base unit of the MFP and cardboard packaging helps reduce plastic waste
- Advanced eco-technologies deliver an impressively low TEC value and standby power consumption rate
- Intuitive icons and a smartphone style interface on the 10.1-inch colour LCD control panel make operating the MFP smooth and easy
- Keep up-to-date and compliant with automatic online firmware and application updates via the Sharp Application Portal

\*1 Requires BP-AM10. \*2 Requires BP-VD10.

[www.sharp.se](http://www.sharp.se)

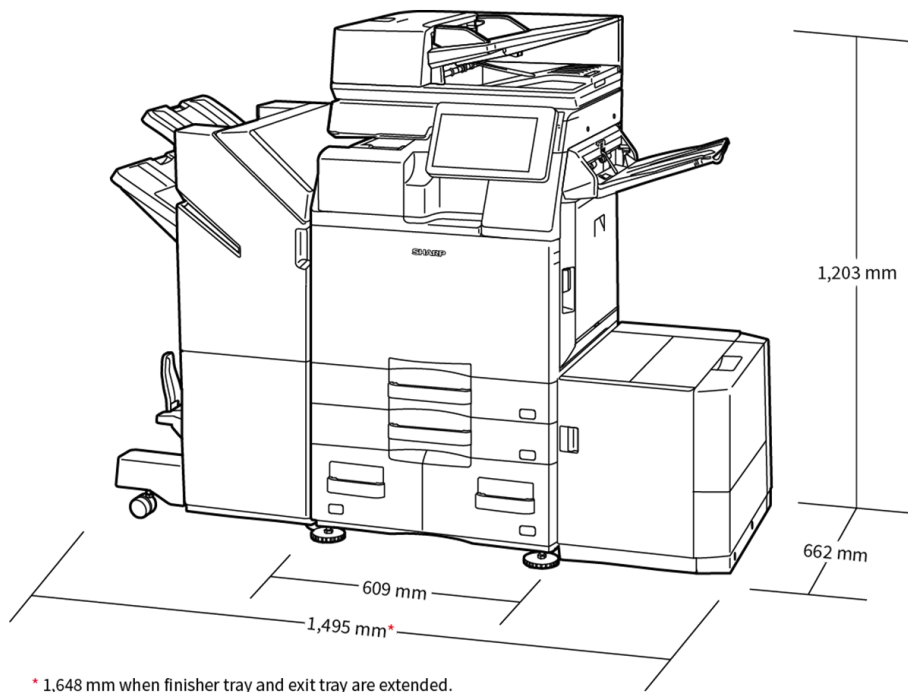
**SHARP**

# Konfigurationer



Konfigurationer kan skilja sig mellan olika försäljningsregioner. Kontakta din lokala Sharp-representant för mer information.

## Mått



Mått visas med tillval. Tillvalen kan variera beroende på region.

# Tillval

## Base Unit

### 01. BP-DE12 Stand with 550-sheet paper drawer

550 sheets\* , SRA3 - A5R (60 - 300 g/m2)

### 02. BP-DE13 Stand with 2 x 550-sheet paper drawer

550 sheets\* each for lower and upper trays, SRA3 - A5R (60 - 300 g/m2)

### 03. BP-DE14 Stand with 3 x 550-sheet paper drawer

550 sheets\* each for lower and upper trays, SRA3 - A5R (60 - 300 g/m2)

### 04. BP-DE15 Stand with 550 + 2100-sheet paper drawer

Upper tray: SRA3 - A5R, 550 sheets\* (60 - 300 g/m2)

Lower tray (Left): A4, 1,200 sheets\* (60 - 105 g/m2)

Lower tray (Right): A4 - B5, 900 sheets\* (60 - 105 g/m2)

### 05. BP-LC10 Large Capacity Tray

3,000 sheets\* , A4 - B5 (60 - 220 g/m2)

### 06. BP-UT10 Utility Table

## Printing

### MX-PK13 PS3 Expansion Kit

Enables PostScript printing

### MX-PU10 Direct Print Expansion Kit

### MX-PF10 Barcode Font Kit

Enables barcode printing

## Scanning

### MX-EB19 Enhanced Compression Kit

Enables creation of high compression PDFs

### MX-EB20 OCR Expansion Kit

## Faxing

### BP-FX11 Fax Expansion Kit

### MX-FWX1 iFax Expansion Kit

## Storage

### BP-SD10 High Capacity SSD

512GB SSD

## Sharp OSA®

### MX-AMX1 Application Integration Module

### BP-AM10 Application Communication Module

### BP-AM11 External Account Module

## Security

### BP-FR12U Data Security Kit

Commercial version

### BP-VD10 Virus Detection Kit

## Finishing

### 07. BP-TR12 Exit Tray Unit

### 08. MX-LT10 Long Paper Feeding Tray

Recommended for banner printing

### 09. MX-TR20 N Job Separator Tray

Requires BP-TU10 Exit Tray Cabinet

### 10. BP-FN18 Inner Finisher

A3 - B5 (offset/staple), SRA3 - A5R (non offset)

Offset tray (upper): max. 500-sheet paper capacity\*

Stapling capacity: max. 30-sheet multi-position staple\*

Manual Stapling: 1-point at rear (Flat), 45 sheets (64 g/m2), 40 sheets (80 g/m2)

Stapleless capacity: max. 10-sheet (64 g/m2), 8 sheet (65 - 81.4 g/m2), 6 sheet (81.5 - 105 g/m2)

### 11. BP-RB10 Paper Pass Unit

Required when using BP-FN13, BP-FN14, BP-FN15 & BP-FN16

### 12. BP-FD10 Folding Unit

200 sheets\* , A3, B4, A4R (Z-fold & half fold), A3, A4 (C-Fold, Accordion fold), 60 - 256 g/m2

### 13. BP-FN13 1k Finisher

A3W - A5R (offset/staple), SRA3 - A5R (non offset)

Offset tray (upper): max.1,000-sheet paper capacity\*

Stapling capacity: max. 50-sheet multi-position staple\*

### 14. BP-FN14 1k Saddle Stitch Finisher

A3W - A5R (offset/staple), SRA3 - A5R (non offset)

Offset tray (upper): max.1,000-sheet paper capacity\*

Stapling capacity: max. 50-sheet multi-position staple\*

Saddle stitch tray (lower): 7 sets (11-15 sheets), 10 sets (6-10 sheets), 20 sets (1-5 sheets). 15 sheets max per set

### 15. BP-FN15 3k Finisher

A3 - B5 (offset/staple), SRA3 - A5R (non offset)

Offset tray (upper): max.3,000-sheet paper capacity\*

Stapling capacity: max. 65-sheet multi-position staple\*

Manual Stapling: 1-point at rear (Flat), 45 sheets (64 g/m2), 40 sheets (80 g/m2)

Stapleless capacity: max.10-sheet (64 g/m2), 8 sheet (65 - 81.4 g/m2), 6 sheet (81.5 - 105 g/m2)

### 16. BP-FN16 3k Saddle Stitch Finisher

A3 - B5 (offset/staple), SRA3 - A5R (non offset)

Offset tray (upper): max.3,000-sheet paper capacity\*

Stapling capacity: max. 65-sheet multi-position staple\*

Manual Stapling: 1-point at rear (Flat), 45 sheets (64 g/m2), 40 sheets (80 g/m2)

Stapleless capacity: max.10-sheet (64 g/m2), 8 sheet (65 - 81.4 g/m2), 6 sheet (81.5 - 105 g/m2)

Saddle stitch tray (lower): 10 sets (11-20 sheets), 15 sets (6-10 sheets), 25 sets (1-5 sheets). 20 sheets max per set

### MX-PN14B/C/D Punch Modules (3, 2/4, 4 wide) for BP-FN18

### MX-PN15B/C/D Punch Modules (3, 2/4, 4 wide) for BP-FN13/BP-FN14

### MX-PN16B/C/D Punch Modules (3, 2/4, 4 wide) for BP-FN15/BP-FN16

\* Number of sheets based on 80 g/m2

# Specifikationer

## ALLMÄNT

|   |                       |
|---|-----------------------|
| Hastighet färg kopior/utskrifter per minut (A4)       | 26                    |
| Hastighet svartvitt kopior/utskrifter per minut (A4)  | 26                    |
| Hastighet färg kopior/utskrifter per minut (A3)       | 15                    |
| Hastighet svartvitt kopior/utskrifter per minut (A3)  | 15                    |
| Pappersstorlek: Min-Max                               | A6R - SRA3            |
| Pappersvikt (g/m <sup>2</sup> )                       | 52 - 300              |
| Papperskapacitet: Standard (ark)                      | 650                   |
| Papperskapacitet: Max (ark)                           | 6300                  |
| Uppvärmningstid (sek)                                 | 16                    |
| Kopieringsminne min/max (GB)                          | 5                     |
| SSD   | STD / OPT             |
| SSD kapacitet (GB)                                    | 128 / 512             |
| Duplex  | STD                   |
| Strömförsörjning - lokal märkspänning växelström (Hz) | 200 - 240V, 50 / 60Hz |
| Energiförbrukning (kW)                                | 1.84                  |
| Mått (B x D x H) (mm)                                 | 609 x 662 x 860       |
| Vikt (kg)   | 85                    |

## DOKUMENTMATARE

|                         |     |
|-------------------------|-----|
| Originalkapacitet (ark) | 300 |
|-------------------------|-----|

## DOKUMENTARKIVERING

|   |   |
|---|---|
| Dokumentarkivering (standard/tillbehör)                 | STD   |
| Arkiveringskapacitet- huvudmapp och egna mappar (sidor) | 5000  |
| Arkiveringskapacitet - snabbfilsmapp (sidor)            | 5000  |
| Lagrade jobb  | Copy, print, scan, fax transmission                       |
| Lagringsmapp  | Quick file folder, main folder, custom folder (max. 1000) |

## FAX

|   |   |
|---|---|
| Fax (standard/tillbehör)                | OPT   |
| Komprimeringsmetod                      | MH / MR / MMR / JBIG                              |
| Kommunikationsprotokoll                 | Super G3 / G3                                     |
| Överföringstid                          | 2   |
| Modemhastighet (bps)                    | 33600 - 2400                                      |
| Överföringsupplösning                   | STD 203.2 x 97.8 dpi / Ultra Fine 406.4 x 391 dpi |
| Arbetsbredd (min)                       | A5  |
| Arbetsbredd (max)                       | A3  |
| Minne (GB)                              | 4   |
| Gräskalenivåer                          | 256   |
| Registrering av inkommande/utgående fax | 2000  |
| Grupsändning                            | 500   |

## TRÅDLÖST NÄTVERK

|                                       |   |
|---------------------------------------|---|
| Trådlöst nätverk (standard/tillbehör) | OPT   |
| Kommunikationsstandard                | IEEE802.11 a / b / g / n / ac   |
| Åtkomstnivå                           | Infrastructure mode, Software AP mode   |
| Säkerhet                              | WEP, WPA / WPA2-mixed PSK, WPA / WPA2-mixed EAP, WPA2-PSK, WPA2-EAP, WPA2 / WPA3-mixed PSK / SAE, WPA3 SAE, WPA2 / WPA3-mixed EAP, WPA3 EAP |

## KOPIATOR

|                                       |                                    |
|---------------------------------------|------------------------------------|
| Originalstorlek (Max)                 | A3                                 |
| Tid för förstakopia färg (sek)        | 7.6                                |
| Tid för förstakopia svartvitt (sek)   | 6.5                                |
| Elektronisk sortering standard        | •                                  |
| Kontinuerlig kopiering (max kopior)   | 9,999                              |
| Upplösning scanning svartvitt (dpi)   | 600 x 600, 600 x 400, 600 x 300    |
| Upplösning scanning färg (dpi)        | 600 x 600                          |
| Upplösning skrivare (dpi)             | 1200 x 1200, 600 x 600, 9600 x 600 |
| Gradering (motsvarande nivåer) - färg | 256                                |
| Zoomomfång (%)                        | 25 - 400                           |
| Förinställda skalor                   | 10                                 |

## NÄTVERKSSCANNER

|                                       |   |
|---------------------------------------|---|
| Nätverksscanner (standard/tillbehör)  | STD   |
| Scanningmetod push scan och pull scan | •   |
| Upplösning push scan (dpi)            | 100, 150, 200, 300, 400, 600                |
| Upplösning pull scan (dpi)            | 75, 100, 150, 200, 300, 400, 600, 50 - 9600 |

## Filformat

|           |   |
|-----------|---|
| Filformat | TIFF, PDF, PDF / A-1a, PDF / A-1b, encrypted PDF, compact PDF, JPEG, XPS, searchable PDF, Microsoft Office (pptx, xlsx, docx), TXT (UTF-8), RTF |
|-----------|---|

## Scannerdestinationer desktop

|                                   |   |
|-----------------------------------|---|
| Scannerdestinationer desktop      | • |
| Scannerdestinationer FTP, E-post  | • |
| Scannerdestinationer nätverksmapp | • |
| Scannerdestinationer USB minne    | • |

## SKRIVARE

|                                       |  |
|---------------------------------------|--|
| Upplösning (dpi)                      | 1200 x 1200, 600 x 600, 9600 x 600                   |
| Nätverksskrivare (standard/tillbehör) | STD Ethernet   |
| Gränssnitt standard/tillbehör         | USB 2.0, USB 3.0, 10Base-T / 100Base-TX / 1000Base-T |

## Stöder operativsystem standard

|                                |   |
|--------------------------------|---|
| Stöder operativsystem standard | Windows 10, 11. Windows Server 2016, 2019, 2022, 2025. Mac OS X 10.15, 11, 12, 13, 14, 15 |
|--------------------------------|---|

## Nätverksprotokoll

|                    |  |
|--------------------|--|
| Nätverksprotokoll  | TCP / IP (IPv4, IPv6)  |
| Utskriftsprotokoll | LPR, Raw TCP (port 9100), POP3 (e-mail printing), HTTP, FTP for downloading print files, IPP, SMB, WSD |

## PDL standard/tillbehör

|                        |                                  |
|------------------------|----------------------------------|
| PDL standard/tillbehör | STD PCL 6, Adobe® PostScript® 3™ |
|------------------------|----------------------------------|

## Typsnitt

|          |                                    |
|----------|------------------------------------|
| Typsnitt | 80 (PCL), 139 (Adobe PostScript 3) |
|----------|------------------------------------|

## EFTERBEHANDLING

|                               |            |
|-------------------------------|------------|
| Kapacitet Max.                | 500 - 3250 |
| Häftningskapacitet (ark) Max. | 65         |
| Sadelhäftning                 | OPT        |
| Off-set förskjutning          | STD        |
| Hålslag                       | OPT        |

## TONERKAPACITET

|                                       |       |
|---------------------------------------|-------|
| Svart (sidor med 5 % täckningsgrad)   | 40000 |
| Cyan (sidor med 5 % täckningsgrad)    | 24000 |
| Magenta (sidor med 5 % täckningsgrad) | 24000 |
| Gul (sidor med 5 % täckningsgrad)     | 24000 |



Microsoft, Adobe, OSA, WiFi, Works with Apple AirPrint, CITRIX, Qualcomm DirectOffice, Point, Active Directory, Windows Server, and Windows are either registered trademarks or trademarks of Microsoft Corporation in the US and/or other countries. Adobe and PostScript 3 are either registered trademarks or trademarks of Adobe Systems Incorporated in the US and/or other countries. Google Drive, Gmail and Android are trademarks of Google LLC. The Google Drive trademark is used with permission from Google LLC. Box is a trademark, service mark, or registered trademark of Box, Inc. QR Code is a registered trademark of DENSO WAVE INCORPORATED in Japan and other countries. AirPrint and Mac are trademarks of Apple Inc., registered in the US and other countries. PCL is a registered trademark of Hewlett-Packard Company. Qualcomm DirectOffice is a product of Qualcomm Technologies, Inc. and/or its subsidiaries. Qualcomm is a trademark of Qualcomm Incorporated, registered in the US and other countries. DirectOffice is a trademark of CSR Imaging US, LP, registered in the US and other countries. All other company names, product names and logotypes are trademarks or registered trademarks of their respective owners. ©Sharp Corporation August 2025. Ref: Sharp BP-56C26 Datasheet. All trademarks acknowledged. E&O.