

A3 Colour Photocopier

# Sharp BP-51C65

Smart A3 colour MFP with multi-layered security features and advanced environmental credentials



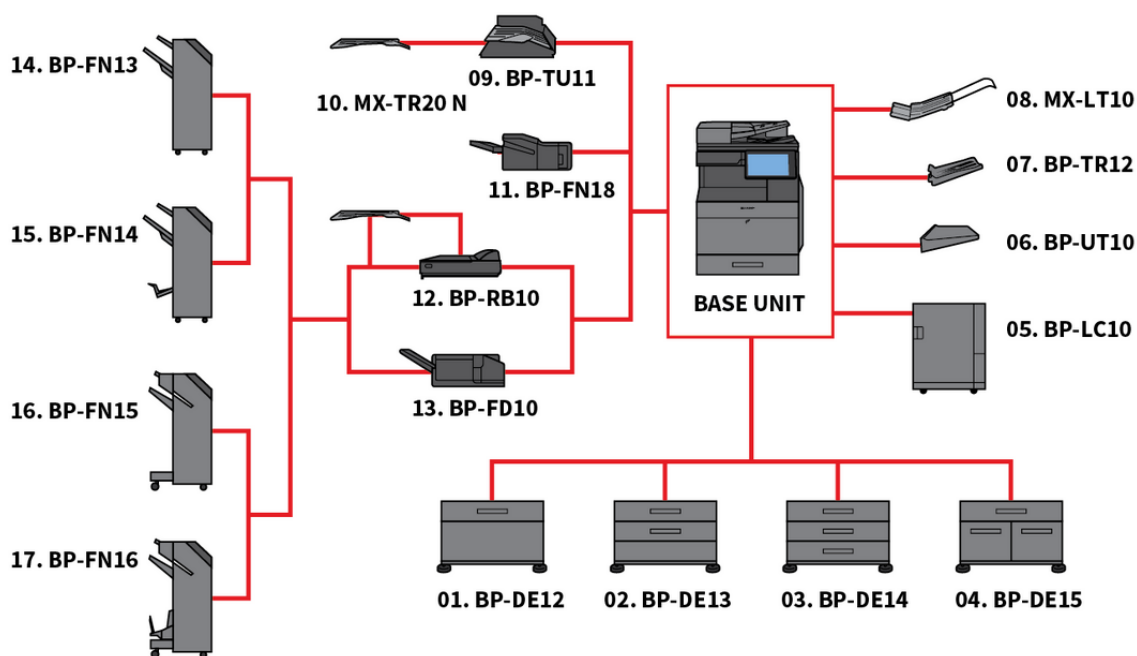
- 65ppm A3 colour MFP with seamless integration and connection to cloud based business process applications
- Collaborate with ease using the Microsoft® Teams connector to print from or scan to your Microsoft® Teams channels directly from the MFP control panel\*1
- Bring more flexibility to your print output with an extensive range of finishing options including stapling, punching and folding
- 100-sheet Reversing Single Pass Feeder scans one or two-sided originals at speeds of up to 80ipm for completing large jobs with ease and efficiency
- With support for Microsoft Entra ID you can manage identities and control device access via a secure cloud-based tool
- Single sign-on lets you securely print from or scan to public cloud storage services quickly and easily
- Multi-layered security features include automatic BIOS recovery if anomalies are detected during start-up and standard Trusted Platform Module to keep your confidential data secure
- Keep your data, device and network secure with optional Bitdefender anti-malware protection software\*2
- A sustainable design uses up to 50% recycled plastics in manufacturing the base unit of the MFP and cardboard packaging helps reduces plastic waste
- Advanced eco-technologies deliver an impressively low TEC value and standby power consumption rate
- Intuitive icons and a smartphone style interface on the 10.1-inch colour LCD control panel make operating the MFP smooth and easy
- Keep up-to-date and compliant with automatic online firmware and application updates via the Sharp Application Portal

\*1 Requires BP-AM10. \*2 Requires BP-VD10.

[www.sharp.se](http://www.sharp.se)

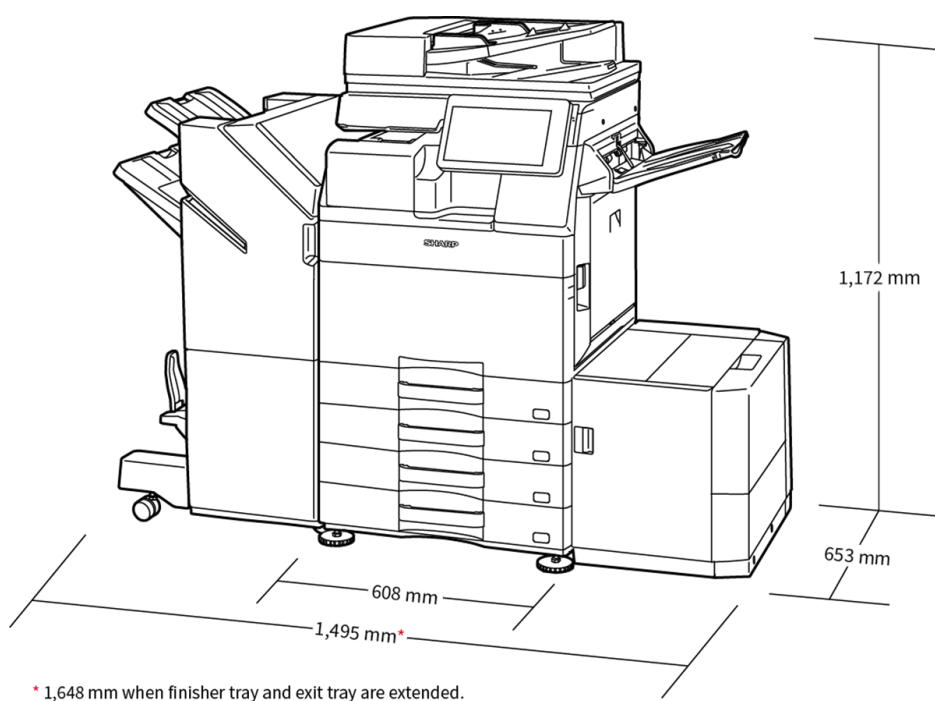
**SHARP**

# Konfigurationer



Konfigurationer kan skilja sig mellan olika försäljningsregioner. Kontakta din lokala Sharp-representant för mer information.

## Mått



Mått visas med tillval. Tillvalen kan variera beroende på region.

# Tillval

## Base Unit

### 01. BP-DE12 Stand with 550-sheet paper drawer

550 sheets\* , SRA3 to A5R (60 - 300 g/m2)

### 02. BP-DE13 Stand with 2 x 550-sheet paper drawer

550 sheets\* each for lower and upper trays, SRA3 to A5R (60 - 300 g/m2)

### 03. BP-DE14 Stand with 3 x 550-sheet paper drawer

550 sheets\* each for lower and upper trays, SRA3 to A5R (60 - 300 g/m2)

### 04. BP-DE15 Stand with 550 + 2100-sheet paper drawer

Upper tray: SRA3 - A5R, 550 sheets\* (60 - 300 g/m2)

Lower tray (Left): A4, 1,200 sheets\* (60 - 105 g/m2)

Lower tray (Right): A4 - B5, 900 sheets\* (60 - 105 g/m2)

### 05. BP-LC10 Large Capacity Tray

3,000 sheets\* , A4 - B5 (60 - 220 g/m2)

### 06. BP-UT10 Utility Table

## Printing

### MX-PU10 Direct Print Expansion Kit

### MX-PF10 Barcode Font Kit

Enables barcode printing

## Scanning

### MX-EB19 Enhanced Compression Kit

Enables creation of high compression PDFs

### MX-EB20 OCR Expansion Kit

## Faxing

### BP-FX11 Fax Expansion Kit

### MX-FWX1 iFax Expansion Kit

## Connectivity

### BP-EB10 Wireless Connection Adaptor

Enables connection to wireless networks

## Storage

### BP-SD10 High Capacity SSD

512GB SSD

## Sharp OSA®

### MX-AMX1 Application Integration Module

### BP-AM10 Application Communication Module

### BP-AM11 External Account Module

## Security

### BP-FR12U Data Security Kit

Commercial version

### BP-VD10 Virus Detection Kit

## Finishing

### 07. BP-TR12 Exit Tray Unit

### 08. MX-LT10 Long Paper Feeding Tray

Recommended for banner printing

### 09. BP-TU11 Exit Tray Cabinet

### 10. MX-TR20 N Job Separator Tray

Requires BP-TU11 Exit Tray Cabinet

### 11. BP-FN18 Inner Finisher

A3 - B5 (offset/staple), SRA3 - A5R (non offset)

Offset tray (upper): max. 500-sheet paper capacity\*

Stapling capacity: max. 50-sheet multi-position staple\*

Manual Stapling: 1-point at rear (Flat), 45 sheets (64 g/m2), 40 sheets (80 g/m2)

Stapleless capacity: max.10-sheet (64 g/m2), 8 sheet (65 - 81.4 g/m2), 6 sheet (81.5 - 105 g/m2)

### 12. BP-RB10 Paper Pass Unit

Required when using BP-FN13, BP-FN14, BP-FN15 & BP-FN16

### 13. BP-FD10 Folding Unit

200 sheets\* , A3, B4, A4R (Z-fold & half fold), A3, A4R (C-Fold, Accordion fold), 60 - 256 g/m2

### 14. BP-FN13 1k Finisher

A3W - A5R (offset/staple), SRA3 - A5R (non offset)

Offset tray (upper): max.1,000-sheet paper capacity\*

Stapling capacity: max. 50-sheet multi-position staple\*

### 15. BP-FN14 1k Saddle Stitch Finisher

A3W - A5R (offset/staple), SRA3 - A5R (non offset)

Offset tray (upper): max.1,000-sheet paper capacity\*

Stapling capacity: max. 50-sheet multi-position staple\*

Saddle stitch tray (lower): 7 sets (11-15 sheets), 10 sets (6-10 sheets), 20 sets (1-5 sheets). 15 sheets max per set

### 16. BP-FN15 3k Finisher

A3 - B5 (offset/staple), SRA3 - A5R (non offset)

Offset tray (upper): max.3,000-sheet paper capacity\*

Stapling capacity: max. 65-sheet multi-position staple\*

Manual Stapling: 1-point at rear (Flat), 45 sheets (64 g/m2), 40 sheets (80 g/m2)

Stapleless capacity: max.10-sheet (64 g/m2), 8 sheet (65 - 81.4 g/m2), 6 sheet (81.5 - 105 g/m2)

### 17. BP-FN16 3k Saddle Stitch Finisher

A3 - B5 (offset/staple), SRA3 - A5R (non offset)

Offset tray (upper): max.3,000-sheet paper capacity\*

Stapling capacity: max. 65-sheet multi-position staple\*

Manual Stapling: 1-point at rear (Flat), 45 sheets (64 g/m2), 40 sheets (80 g/m2)

Stapleless capacity: max.10-sheet (64 g/m2), 8 sheet (65 - 81.4 g/m2), 6 sheet (81.5 - 105 g/m2)

Saddle stitch tray (lower): 10 sets (11-20 sheets), 15 sets (6-10 sheets), 25 sets (1-5 sheets). 20 sheets max per set

### MX-PN14B/C/D Punch Modules (3, 2/4, 4 wide) for BP-FN18

### MX-PN15B/C/D Punch Modules (3, 2/4, 4 wide) for BP-FN13/BP-FN14

### MX-PN16B/C/D Punch Modules (3, 2/4, 4 wide) for BP-FN15/BP-FN16

\* Number of sheets based on 80 g/m2

# Specifikationer

## ALLMÄNT

Hastighet färg kopior/utskrifter per minut (A4)	65
Hastighet svartvitt kopior/utskrifter per minut (A4)	65
Hastighet färg kopior/utskrifter per minut (A3)	33
Hastighet svartvitt kopior/utskrifter per minut (A3)	33
Pappersstorlek: Min-Max	A6R - SRA3
Pappersvikt (g/m <sup>2</sup> )	52 - 300
Papperskapacitet: Standard (ark)	650
Papperskapacitet: Max (ark)	6300
Uppvärmningstid (sek)	13
Kopieringsminne min/max (GB)	5
SSD	STD / OPT
SSD kapacitet (GB)	128 / 512
Duplex	STD
Strömförsörjning - lokal märkspänning växelström (Hz)	220 - 240V, 50 / 60Hz
Energiförbrukning (kW)	1.84
Mått (B x D x H) (mm)	608 x 653 x 829
Vikt (kg)	78

## DOKUMENTMATARE

Originalkapacitet (ark)	100
-------------------------	-----

## DOKUMENTARKIVERING

Dokumentarkivering (standard/tillbehör)	STD
Arkiveringskapacitet- huvudmapp och egna mappar (sidor)	5000
Arkiveringskapacitet - snabbfilsmapp (sidor)	5000
Lagrade jobb	Copy, print, scan, fax transmission
Lagringsmapp	Quick file folder, main folder, custom folder (max. 1000)

## FAX

Fax (standard/tillbehör)	OPT
Komprimeringsmetod	MH / MR / MMR / JBIG
Kommunikationsprotokoll	Super G3 / G3
Överföringstid	2
Modemhastighet (bps)	33600 - 2400
Överföringsupplösning	STD 203.2 x 97.8 dpi / Ultra Fine 406.4 x 391 dpi
Arbetsbredd (min)	A5
Arbetsbredd (max)	A3
Minne (GB)	4
Gräskalenivåer	256
Registrering av inkommande/utgående fax	2000
Grupsändning	500

## TRÅDLÖST NÄTVERK

Trådlöst nätverk (standard/tillbehör)	OPT
Kommunikationsstandard	IEEE802.11 a / b / g / n / ac
Åtkomstnivå	Infrastructure mode, Software AP mode
Säkerhet	WEP, WPA / WPA2-mixed PSK, WPA / WPA2-mixed EAP, WPA2-PSK, WPA2-EAP, WPA2 / WPA3-mixed PSK / SAE, WPA3 SAE, WPA2 / WPA3-mixed EAP, WPA3 EAP

## KOPIATOR

Originalstorlek (Max)	A3
Tid för förstakopia färg (sek)	4.8
Tid för förstakopia svartvitt (sek)	3.7
Elektronisk sortering standard	•
Kontinuerlig kopiering (max kopior)	9,999
Upplösning scanning svartvitt (dpi)	600 x 600, 600 x 400
Upplösning scanning färg (dpi)	600 x 600
Upplösning skrivare (dpi)	1200 x 1200, 600 x 600, 9600 x 600
Gradering (motsvarande nivåer) - färg	256
Zoomomfång (%)	25 - 400
Förinställda skalor	10

## NÄTVERKSSCANNER

Nätverksscanner (standard/tillbehör)	STD
Scanningmetod push scan och pull scan	•
Upplösning push scan (dpi)	100, 150, 200, 300, 400, 600
Upplösning pull scan (dpi)	75, 100, 150, 200, 300, 400, 600, 50 - 9600

## Filformat

Filformat	TIFF, PDF, PDF / A-1a, PDF / A-1b, encrypted PDF, compact PDF, JPEG, XPS, searchable PDF, Microsoft Office (pptx, xlsx, docx), TXT (UTF-8), RTF
-----------	---

## Scannerdestinationer desktop

Scannerdestinationer desktop	•
Scannerdestinationer FTP, E-post	•
Scannerdestinationer nätverksmapp	•
Scannerdestinationer USB minne	•

## SKRIVARE

Upplösning (dpi)	1200 x 1200, 600 x 600, 9600 x 600
Nätverksskrivare (standard/tillbehör)	STD Ethernet
Gränssnitt standard/tillbehör	USB 2.0, USB 3.0, 10Base-T / 100Base-TX / 1000Base-T

## Stöder operativsystem standard

Stöder operativsystem standard	Windows 10, 11. Windows Server 2016, 2019, 2022, 2025. Mac OS X 10.15, 11, 12, 13, 14, 15
--------------------------------	---

## Nätverksprotokoll

Nätverksprotokoll	TCP / IP (IPv4, IPv6)
Utskriftsprotokoll	LPR, Raw TCP (port 9100), POP3 (e-mail printing), HTTP, FTP for downloading print files, IPP, SMB, WSD

## PDL standard/tillbehör

PDL standard/tillbehör	STD PCL 6, Adobe® PostScript® 3™
------------------------	----------------------------------

## Typsnitt

Typsnitt	80 (PCL), 139 (Adobe PostScript 3)
----------	------------------------------------

## EFTERBEHANDLING

Kapacitet Max.	500 - 3250
Häftningskapacitet (ark) Max.	65
Sadelhäftning	OPT
Off-set förskjutning	STD
Hålslag	OPT

## TONERKAPACITET

Svart (sidor med 5 % täckningsgrad)	40000
Cyan (sidor med 5 % täckningsgrad)	24000
Magenta (sidor med 5 % täckningsgrad)	24000
Gul (sidor med 5 % täckningsgrad)	24000



Microsoft, Adobe, OSA, WiFi, Works with Apple AirPrint, CITRIX, Qualcomm DirectOffice, Point, Active Directory, Windows Server, and Windows are either registered trademarks or trademarks of Microsoft Corporation in the US and/or other countries. Adobe and PostScript 3 are either registered trademarks or trademarks of Adobe Systems Incorporated in the US and/or other countries. Google Drive, Gmail and Android are trademarks of Google LLC. The Google Drive trademark is used with permission from Google LLC. Box is a trademark, service mark, or registered trademark of Box, Inc. QR Code is a registered trademark of DENSO WAVE INCORPORATED in Japan and other countries. AirPrint and Mac are trademarks of Apple Inc., registered in the US and other countries. PCL is a registered trademark of Hewlett-Packard Company. Qualcomm DirectOffice is a product of Qualcomm Technologies, Inc. and/or its subsidiaries. Qualcomm is a trademark of Qualcomm Incorporated, registered in the US and other countries. DirectOffice is a trademark of CSR Imaging US, LP, registered in the US and other countries. All other company names, product names and logotypes are trademarks or registered trademarks of their respective owners. ©Sharp Corporation August 2025. Ref: BP-51C65 Datasheet. All trademarks acknowledged. E&O.