

A3 Colour Photocopier

# Sharp BP-71C55

Smart A3 colour MFP with multi-layered security features and advanced environmental credentials



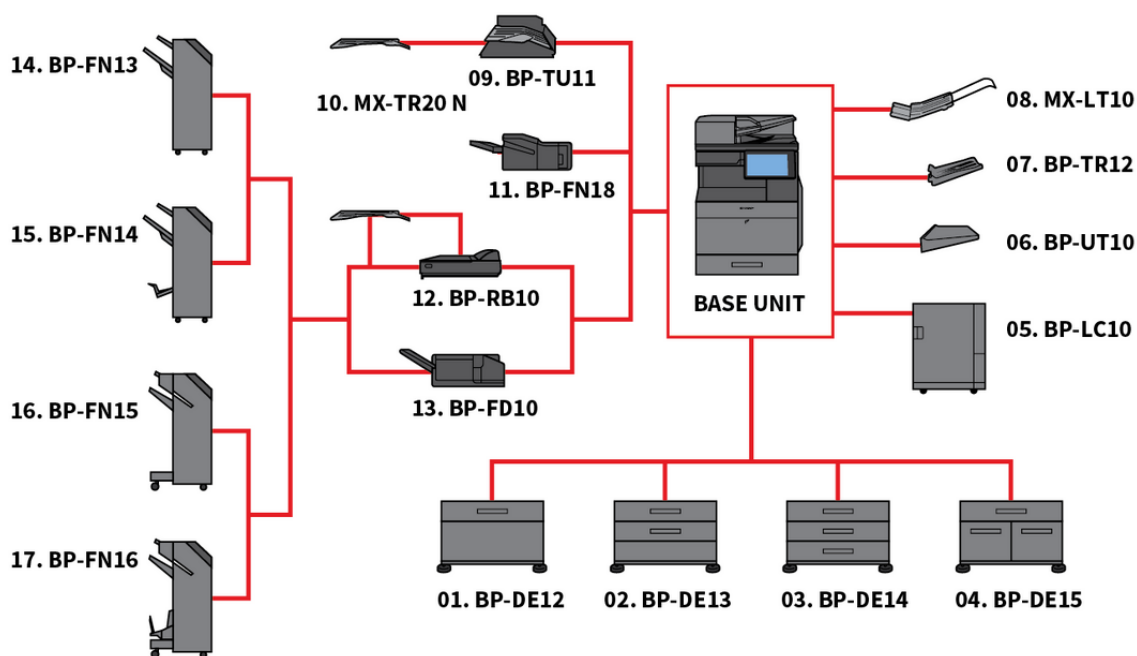
- 55ppm A3 colour MFP with seamless integration and connection to cloud based business process applications
- Collaborate with ease using the Microsoft® Teams connector to print from or scan to your Microsoft® Teams channels directly from the MFP control panel
- Bring more flexibility to your print output with an extensive range of finishing options including stapling, punching and folding
- Complete large jobs quickly and efficiently with scan speeds of up to 300ipm and optional double feed detection\*2 stops scanning when two or more sheets are fed at once
- With support for Microsoft Entra ID you can manage identities and control device access via a secure cloud-based tool
- Single sign-on lets you securely print from or scan to public cloud storage services quickly and easily
- Multi-layered security features include automatic BIOS recovery if anomalies are detected during start-up and standard Trusted Platform Module to keep your confidential data secure
- Keep your data, device and network secure with optional Bitdefender anti-malware protection software\*1
- A sustainable design uses up to 50% recycled plastics in manufacturing the base unit of the MFP and cardboard packaging helps reduce plastic waste
- Advanced eco-technologies deliver an impressively low TEC value and standby power consumption rate
- Intuitive icons and a smartphone style interface on the 10.1-inch colour LCD control panel make operating the MFP smooth and easy
- Keep up-to-date and compliant with automatic online firmware and application updates via the Sharp Application Portal

\*1 Requires BP-VD10. \*2 Requires BP-DD10.

[www.sharp.se](http://www.sharp.se)

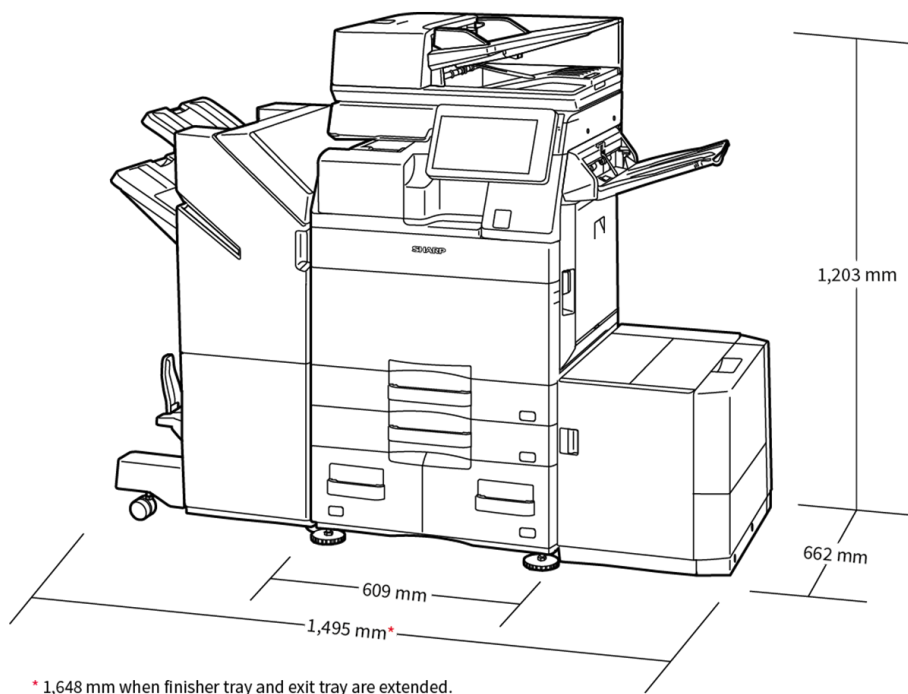
**SHARP**

# Konfigurationer



Konfigurationer kan skilja sig mellan olika försäljningsregioner. Kontakta din lokala Sharp-representant för mer information.

## Mått



Mått visas med tillval. Tillvalen kan variera beroende på region.

# Tillval

## Base Unit

### 01. BP-DE12 Stand with 550-sheet paper drawer

550 sheets\* , SRA3 - A5R (60 - 300 g/m2)

### 02. BP-DE13 Stand with 2 x 550-sheet paper drawer

550 sheets\* each for lower and upper trays, SRA3 - A5R (60 - 300 g/m2)

### 03. BP-DE14 Stand with 3 x 550-sheet paper drawer

550 sheets\* each for lower and upper trays, SRA3 - A5R (60 - 300 g/m2)

### 04. BP-DE15 Stand with 550 + 2100-sheet paper drawer

Upper tray: SRA3 - A5R, 550 sheets\* (60 - 300 g/m2)

Lower tray (Left): A4, 1,200 sheets\* (60 - 105 g/m2)

Lower tray (Right): A4 - B5, 900 sheets\* (60 - 105 g/m2)

### 05. BP-LC10 Large Capacity Tray

3,000 sheets\* , A4 - B5 (60 - 220 g/m2)

### 06. BP-UT10 Utility Table

#### BP-DD10 Double Feed Detection Kit

Eliminates double feeding of paper while scanning

## Printing

### MX-PF10 Barcode Font Kit

Enables barcode printing

## Faxing

### BP-FX11 Fax Expansion Kit

### MX-FWX1 iFax Expansion Kit

## Storage

### BP-SD10 High Capacity SSD

512GB SSD

## Sharp OSA®

### MX-AMX1 Application Integration Module

## Security

### BP-FR12U Data Security Kit

Commercial version

### BP-VD10 Virus Detection Kit

## Finishing

### 07. BP-TR12 Exit Tray Unit

### 08. MX-LT10 Long Paper Feeding Tray

Recommended for banner printing

### 09. BP-TU11 Exit Tray Cabinet

### 10. MX-TR20 N Job Separator Tray

Requires BP-TU11 Exit Tray Cabinet

### 11. BP-FN18 Inner Finisher

A3 - B5 (offset/staple), SRA3 - A5R (non offset)

Offset tray (upper): max. 500-sheet paper capacity\*

Stapling capacity: max. 50-sheet multi-position staple\*

Manual Stapling: 1-point at rear (Flat), 45 sheets (64 g/m2), 40 sheets (80 g/m2)

Stapleless capacity: max. 10-sheet (64 g/m2), 8 sheet (65 - 81.4 g/m2), 6 sheet (81.5 - 105 g/m2)

### 12. BP-RB10 Paper Pass Unit

Required when using BP-FN13, BP-FN14, BP-FN15 & BP-FN16

### 13. BP-FD10 Folding Unit

200 sheets\* , A3, B4, A4R (Z-fold & half fold), A3, A4R (C-Fold, Accordion fold), 60 - 256 g/m2

### 14. BP-FN13 1k Finisher

A3W - A5R (offset/staple), SRA3 - A5R (non offset)

Offset tray (upper): max. 1,000-sheet paper capacity\*

Stapling capacity: max. 50-sheet multi-position staple\*

### 15. BP-FN14 1k Saddle Stitch Finisher

A3W - A5R (offset/staple), SRA3 - A5R (non offset)

Offset tray (upper): max. 1,000-sheet paper capacity\*

Stapling capacity: max. 50-sheet multi-position staple\*

Saddle stitch tray (lower): 7 sets (11-15 sheets), 10 sets (6-10 sheets), 20 sets (1-5 sheets). 15 sheets max per set

### 16. BP-FN15 3k Finisher

A3 - B5 (offset/staple), SRA3 - A5R (non offset)

Offset tray (upper): max. 3,000-sheet paper capacity\*

Stapling capacity: max. 65-sheet multi-position staple\*

Manual Stapling: 1-point at rear (Flat), 45 sheets (64 g/m2), 40 sheets (80 g/m2)

Stapleless capacity: max. 10-sheet (64 g/m2), 8 sheet (65 - 81.4 g/m2), 6 sheet (81.5 - 105 g/m2)

### 17. BP-FN16 3k Saddle Stitch Finisher

A3 - B5 (offset/staple), SRA3 - A5R (non offset)

Offset tray (upper): max. 3,000-sheet paper capacity\*

Stapling capacity: max. 65-sheet multi-position staple\*

Manual Stapling: 1-point at rear (Flat), 45 sheets (64 g/m2), 40 sheets (80 g/m2)

Stapleless capacity: max. 10-sheet (64 g/m2), 8 sheet (65 - 81.4 g/m2), 6 sheet (81.5 - 105 g/m2)

Saddle stitch tray (lower): 10 sets (11-20 sheets), 15 sets (6-10 sheets), 25 sets (1-5 sheets). 20 sheets max per set

### MX-PN14B/C/D Punch Modules (3, 2/4, 4 wide) for BP-FN18

### MX-PN15B/C/D Punch Modules (3, 2/4, 4 wide) for BP-FN13/BP-FN14

### MX-PN16B/C/D Punch Modules (3, 2/4, 4 wide) for BP-FN15/BP-FN16

\* Number of sheets based on 80 g/m2

# Specifikationer

## ALLMÄNT

Hastighet färg kopior/utskrifter per minut (A4)	55
Hastighet svartvitt kopior/utskrifter per minut (A4)	55
Hastighet färg kopior/utskrifter per minut (A3)	28
Hastighet svartvitt kopior/utskrifter per minut (A3)	28
Pappersstorlek: Min-Max	A6R - SRA3
Pappersvikt (g/m <sup>2</sup> )	52 - 300
Papperskapacitet: Standard (ark)	650
Papperskapacitet: Max (ark)	6300
Uppvärmningstid (sek)	13
Kopieringsminne min/max (GB)	5
SSD	STD / OPT
SSD kapacitet (GB)	256 / 512
Duplex	STD
Strömförsörjning - lokal märkspänning växelström (Hz)	200 - 240V, 50 / 60Hz
Energiförbrukning (kW)	1.84
Mått (B x D x H) (mm)	609 x 662 x 860
Vikt (kg)	85

## DOKUMENTMATARE

Originalkapacitet (ark)	300
-------------------------	-----

## DOKUMENTARKIVERING

Dokumentarkivering (standard/tillbehör)	STD
Arkiveringskapacitet- huvudmapp och egna mappar (sidor)	20000
Arkiveringskapacitet - snabbfilsmapp (sidor)	10000
Lagrade jobb	Copy, print, scan, fax transmission
Lagringsmapp	Quick file folder, main folder, custom folder (max. 1000)

## FAX

Fax (standard/tillbehör)	OPT
Komprimeringsmetod	MH / MR / MMR / JBIG
Kommunikationsprotokoll	Super G3 / G3
Överföringstid	2
Modemhastighet (bps)	33600 - 2400
Överföringsupplösning	STD 203.2 x 97.8 dpi / Ultra Fine 406.4 x 391 dpi
Arbetsbredd (min)	A5
Arbetsbredd (max)	A3
Minne (GB)	4
Gräskalenivåer	256
Registrering av inkommande/utgående fax	2000
Grupsändning	500

## TRÅDLÖST NÄTVERK

Trådlöst nätverk (standard/tillbehör)	STD
Kommunikationsstandard	IEEE802.11 a / b / g / n / ac
Åtkomstnivå	Infrastructure mode, Software AP mode
Säkerhet	WEP, WPA / WPA2-mixed PSK, WPA / WPA2-mixed EAP, WPA2-PSK, WPA2-EAP, WPA2 / WPA3-mixed PSK / SAE, WPA3 SAE, WPA2 / WPA3-mixed EAP, WPA3 EAP

## KOPIATOR

Originalstorlek (Max)	A3
Tid för förstakopia färg (sek)	4.8
Tid för förstakopia svartvitt (sek)	3.7
Elektronisk sortering standard	•
Kontinuerlig kopiering (max kopior)	9,999
Upplösning scanning svartvitt (dpi)	600 x 600, 600 x 400, 600 x 300
Upplösning scanning färg (dpi)	600 x 600
Upplösning skrivare (dpi)	1200 x 1200, 600 x 600, 9600 x 600
Gradering (motsvarande nivåer) - färg	256
Zoomomfång (%)	25 - 400
Förinställda skalor	10

## NÄTVERKSSCANNER

Nätverksscanner (standard/tillbehör)	STD
Scanningmetod push scan och pull scan	•
Upplösning push scan (dpi)	100, 150, 200, 300, 400, 600
Upplösning pull scan (dpi)	75, 100, 150, 200, 300, 400, 600, 50 - 9600

## Filformat

Scannerdestinationer desktop	•
Scannerdestinationer FTP, E-post	•
Scannerdestinationer nätverksmapp	•
Scannerdestinationer USB minne	•
Filformat	TIFF, PDF, PDF / A-1a, PDF / A-1b, encrypted PDF, compact PDF, JPEG, XPS, searchable PDF, Microsoft Office (pptx, xlsx, docx), TXT (UTF-8), RTF

## SKRIVARE

Upplösning (dpi)	1200 x 1200, 600 x 600, 9600 x 600
Nätverksskrivare (standard/tillbehör)	STD Ethernet
Gränssnitt standard/tillbehör	USB 2.0, USB 3.0, 10Base-T / 100Base-TX / 1000Base-T, Optional secondary LAN support

## Stöder operativsystem standard

Stöder operativsystem standard	Windows 10, 11. Windows Server 2016, 2019, 2022, 2025. Mac OS X 10.15, 11, 12, 13, 14, 15
--------------------------------	---

## Nätverksprotokoll

Nätverksprotokoll	TCP / IP (IPv4, IPv6)
Utskriftsprotokoll	LPR, Raw TCP (port 9100), POP3 (e-mail printing), HTTP, FTP for downloading print files, IPP, SMB, WSD

## PDL standard/tillbehör

PDL standard/tillbehör	STD PCL 6, Adobe® PostScript® 3™
------------------------	----------------------------------

## Typsnitt

Typsnitt	80 (PCL), 139 (Adobe PostScript 3)
----------	------------------------------------

## EFTERBEHANDLING

Kapacitet Max.	500 - 3250
Häftningskapacitet (ark) Max.	65
Sadelhäftning	OPT
Off-set förskjutning	STD
Hälslag	OPT

## TONERKAPACITET

Svart (sidor med 5 % täckningsgrad)	40000
Cyan (sidor med 5 % täckningsgrad)	24000
Magenta (sidor med 5 % täckningsgrad)	24000
Gul (sidor med 5 % täckningsgrad)	24000



and Adobe, Citrix, and Microsoft are either registered trademarks or trademarks of Microsoft Corporation in the US and/or other countries. Adobe and PostScript 3 are either registered trademarks or trademarks of Adobe Systems Incorporated in the US and/or other countries. Google Drive, Gmail and Android are trademarks of Google LLC. The Google Drive trademark is used with permission from Google LLC. Box is a trademark, service mark, or registered trademark of Box, Inc. QR Code is a registered trademark of DENSO WAVE INCORPORATED in Japan and other countries. AirPrint and Mac are trademarks of Apple Inc., registered in the US and other countries. PCL is a registered trademark of Hewlett-Packard Company. Qualcomm DirectOffice is a product of Qualcomm Technologies, Inc. and/or its subsidiaries. Qualcomm is a trademark of Qualcomm Incorporated, registered in the US and other countries. DirectOffice is a trademark of CSR Imaging US, LP, registered in the US and other countries. All other company names, product names and logotypes are trademarks or registered trademarks of their respective owners. ©Sharp Corporation August 2025. Ref: BP-71C55 Datasheet. All trademarks acknowledged. E&O.