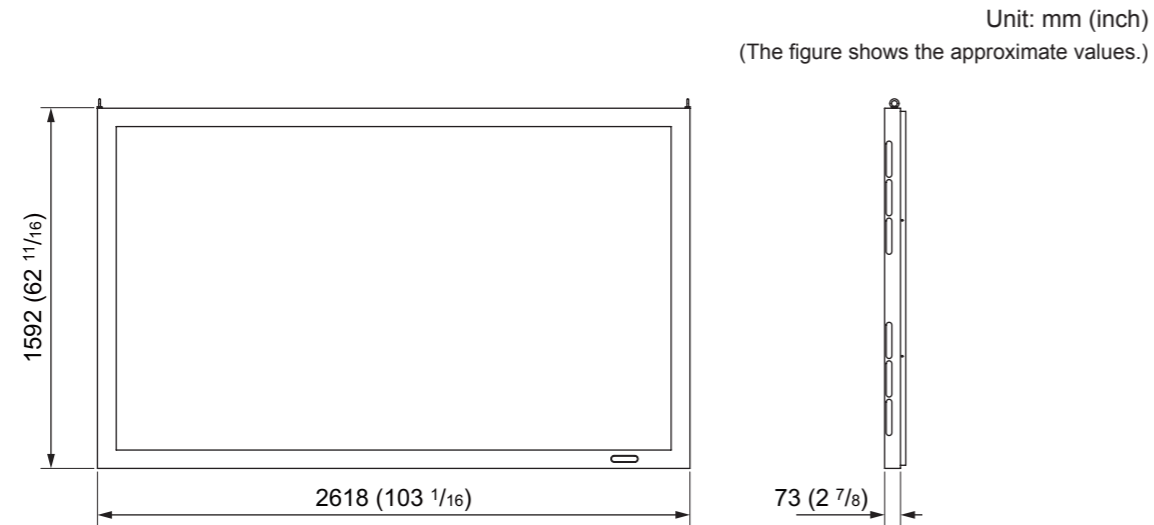


## Main specifications

Model	PN-ZH10
Dimensions	See the figure below.
Weight	Approx. 98 kg (216 lbs.) (Weight includes mounting fixtures and screws)

As a part of our policy of continuous improvement, SHARP reserves the right to make design and specification changes for product improvement without prior notice. The performance specification figures indicated are nominal values of production units. There may be some deviations from these values in individual units.



**SHARP**  
SHARP CORPORATION

Printed in Japan  
EN(1)

# SHARP®

## Operation Manual Protection panel

# PN-ZH10

Applicable models (as of July 2008) LCD MONITOR LB-1085

### ● Thank you for purchasing a SHARP product.

Before using the product, please be sure to read this operation manual carefully. In particular, be sure to read the section "To ensure safe and correct use". After reading the manual, keep it in a convenient location where it can be accessed at any time.

### TIPS

- Please understand that Sharp Corporation bears no responsibility for errors made during use by the customer or a third party, nor for any other malfunctions or damage to this product arising during use, except where indemnity liability is recognized under law.
- This product and its accessories may be upgraded without advance notice.

## To ensure safe and correct use

This operation manual and the product use various displays and labels to ensure safe use. Ignoring these displays and labels and incorrectly using the product could have results as classified below.

Please read the following warning symbol information before reading the rest of this section, and be sure to strictly observe all instructions.

**⚠ Warning:** Not following these instructions could result in death or serious injury.

- **The installation must be performed by qualified service personnel.**  
Improper installation work may cause the monitor to fall or topple over, resulting in injury.
- **Only use the accessories with specified models. Do not modify the LCD Monitor or the accessories.**  
Otherwise, the monitor may fall or topple over, resulting in injury.

**⚠ Caution:** Not following these instructions could result in injury or property damage.

- **Tighten all the screws and bolts fully and securely.**  
Insufficient tightening may cause the monitor to fall or topple over, resulting in injury.
- **Do not apply strong shock or vibration.**  
Otherwise, the LCD Monitor may fall and break, resulting in injury.

# Supplied accessories

Confirm that the following accessories have been provided with the product.

- Protection panel x 1
- Spacer x 2
- Eye bolt connection plate (upper) x 2
- Eye bolt connection plate (lower) x 2
- M5 screw (long) x 4
- M5 screw (short) x 4
- M16 bolt x 2
- Operation manual (this manual)

# Precautions on use

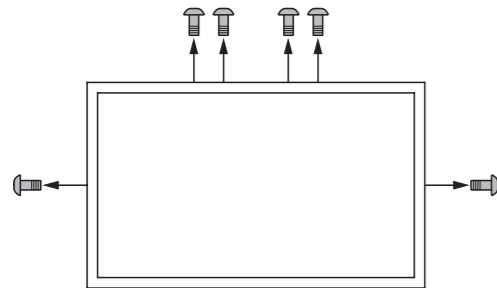
- The installation, removal, or transportation of the LCD Monitor must be performed by qualified service personnel. The LCD Monitor is large and heavy. Installation requires special knowledge and qualifications.
- Customers should not attempt to install, remove, or transport the LCD Monitor by themselves.
- SHARP shall have no liability for any accidents or damages caused by improper installation or mishandling.
- Keep all removed screws, eye bolts, and bolt caps in a safe place.
- The ambient temperature for the LCD Monitor is 0 to 35°C (32 to 95°F) when using the protection panel.

# Installation procedure

## Caution

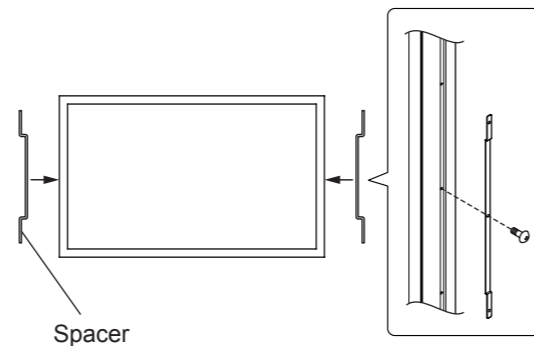
- The protection panel is large and heavy. It must be moved with a hoisting device (chain block, etc.).
- Installation requires at least three people.
- Mount the LCD Monitor in the dedicated stand or mounting brackets before mounting the protection panel.

**1** Remove the 6 screws in the LCD Monitor (4 on top, 1 on each side).



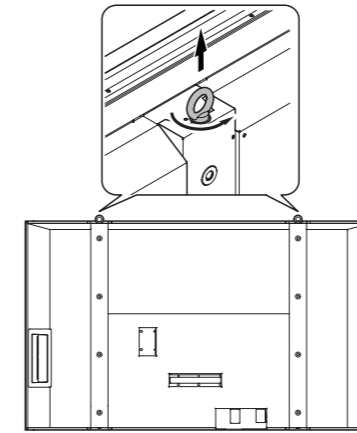
**2** Attach one spacer to each side of the LCD Monitor.

- Insert each spacer in the groove where the screw was removed from, and fix the spacer in place with the screw removed in step 1.

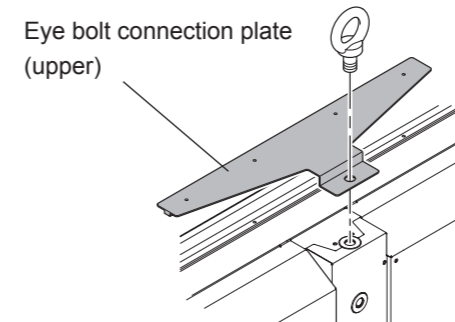


**3** Attach the eye bolt connection plate (upper) to the top of the LCD Monitor.

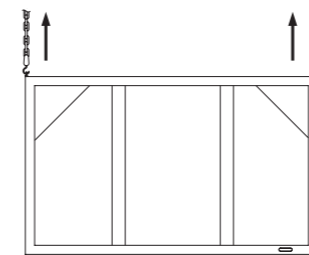
- 1) Remove the eye bolt.



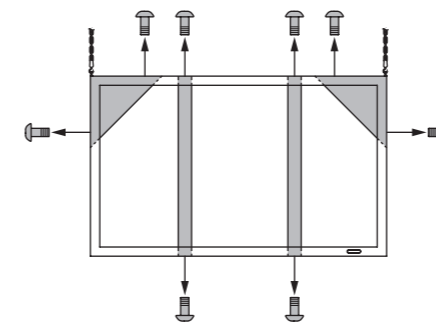
- 2) Attach the eye bolt connection plate (upper) and secure in place with the eye bolt used in step 1).



**4** Insert the hooks of the hoisting device into the eye bolts of the protection panel and slightly lift the panel.

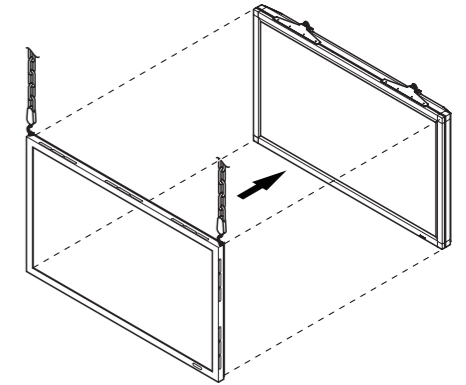


**5** Remove the transport protection frame.



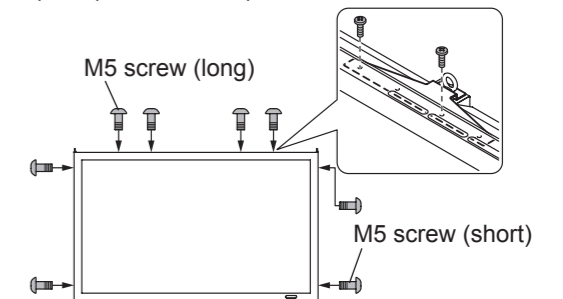
**6** Mount the protection panel to the LCD Monitor.

- Make sure all four corners are lined up.

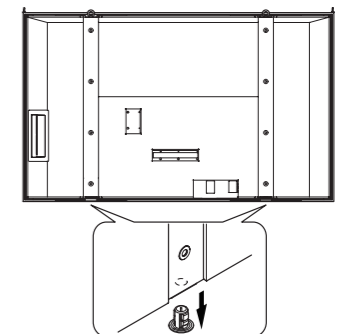


**7** Secure the protection panel.

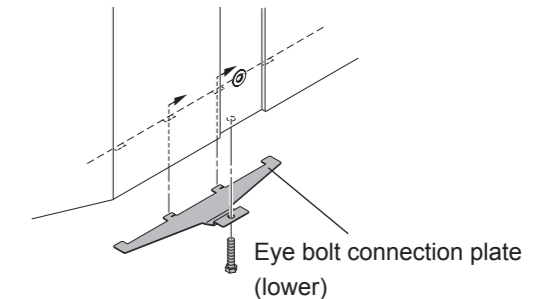
- 1) Secure the protection panel with the supplied M5 screws (4 M5 screws (long) on top, 2 M5 screws (short) on each side).



- 2) Remove the 2 M16 bolt caps on the bottom.



- 3) Attach the eye bolt connection plate (lower) and secure in place with the 2 supplied M16 bolts.
  - Secure the eye bolt connection plate by sliding the tabs into the slots in the protection panel.



**8** Confirm that the LCD Monitor is mounted securely, and then remove the hooks of the hoisting device.